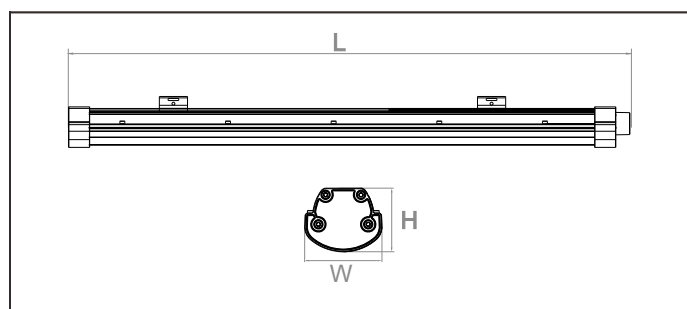


Features

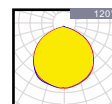
Housing: Pure Aluminum A6063
 Thermal Conductivity: 226 W/m·K
 Led: Bridgelux
 CRI: Ra>80
 SDCM: <6
 Power Factor: >0.95
 THD: <15
 Driver: Explosion Proof Driver
 Driver Efficiency: >92%
 Protection: OTP, OCP, OVP, SCP
 Surge Protection: 4KV
 Waterproof: IP66
 Impact Test: IK10
 Corrosion Proof: WF2
 Electrical: 100-277V, 50/60Hz
 Operating Temperature: -25~45 °C
 TM21: L90B10>50,000H
 Lifetime: 50,000H



Functions

PWM · DALI · 0/1~10V

Optical options:



150lm/w

5 YEARS WARRANTY

Explosion Proof Driver

Bridgelux LED

Model	Watt	Voltage	Lumen	CRI	IP	Dimension
CANARE20EE2H-BG	20W	100~277	3000LM	>80	IP66	600*70*58mm
CANARE40EE2H-BG	40W	100~277	6000LM	>80	IP66	600*70*58mm
CANARE40EE4H-BG	40W	100~277	6000LM	>80	IP66	1200*70*58mm
CANARE60EE4H-BG	60W	100~277	9000LM	>80	IP66	1200*70*58mm
CANARE80EE5H-BG	80W	220~240	12000LM	>80	IP66	1500*70*58mm

ProfiLIGHT Corporation, s.r.o.



Továrenská 4069/44
018 41 Dubnica nad Váhom



www.profilight.sk



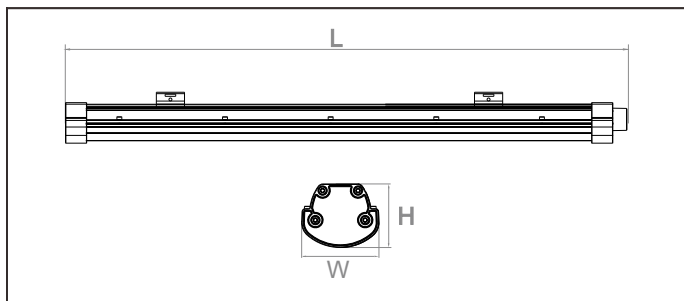
obchod@profilight.sk



+421 903 817 266



Packing



Luminaire

Model	L	Outer Carton(mm)			QTY / Outer CTN	Luminaire	
		W	H	NW(kg)		GW(kg)	
CANARE20EE2H-BG	670	90	75	1	1.50	1.70	
CANARE40EE2H-BG	670	90	75	1	1.50	1.70	
CANARE40EE4H-BG	1485	90	75	1	2.80	3.30	
CANARE60EE4H-BG	1485	90	75	1	2.80	3.30	
CANARE80EE5H-BG	1784	90	75	1	3.50	4.10	

